

G. I. JOE®

CAPTURE OF THE PYGMY GORILLA

Instructions

How to assemble Pontoon Boat:

1. Insert pontoon brackets into pontoons, as shown in illustration #1. Bracket inserts into the pontoon and slides forward to lock, as shown by the arrows.
2. Attach pontoons with brackets to boat, by sliding bracket onto side of boat. (See illustration #1)
3. Place backrest into position, as shown in illustration #1.

To insert battery in motor:

1. Lift off top cap of motor. (See illustration #2)
2. Insert one "C" size battery into motor, facing in direction of arrow. (See illustration #2)
3. Replace top cap of motor.

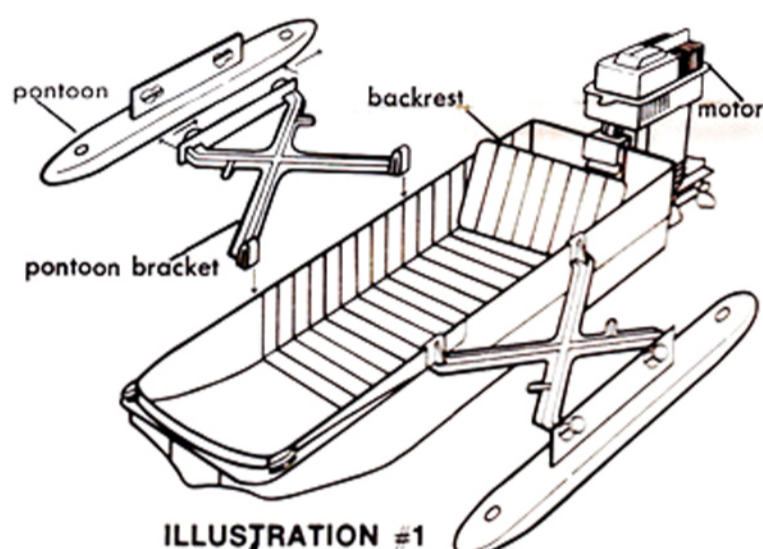


ILLUSTRATION #1

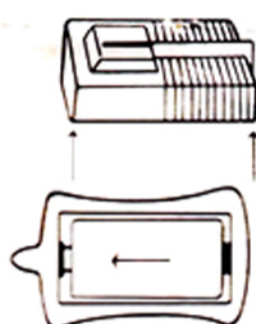


ILLUSTRATION #2

Attaching motor to boat:

1. Attach motor to boat by sliding motor mount over back end of boat, as shown in illustration #3.
2. When motor is in "up" position (see illustration #4), it is off. When motor is lowered into operating position, it is automatically turned on. (As shown in illustration #5)

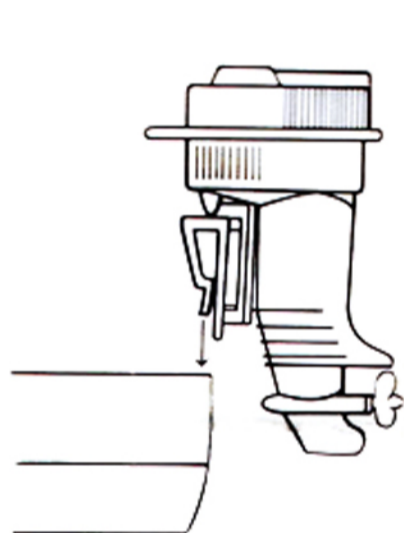


ILLUSTRATION #3

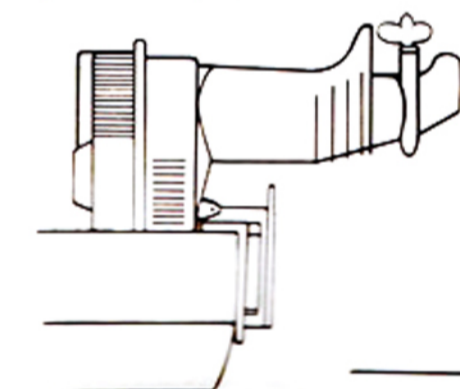


ILLUSTRATION #4

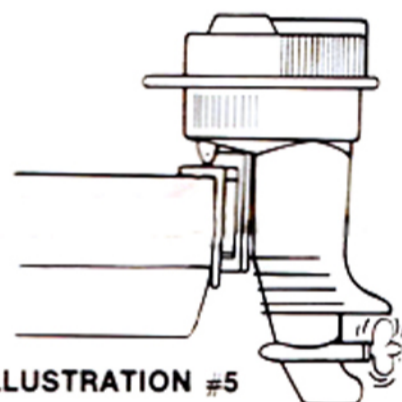


ILLUSTRATION #5

Place G. I. Joe® Adventurer™ in the Pontoon Boat, as shown in illustration #6.

Place the boat in water, lower the motor, and away he goes!

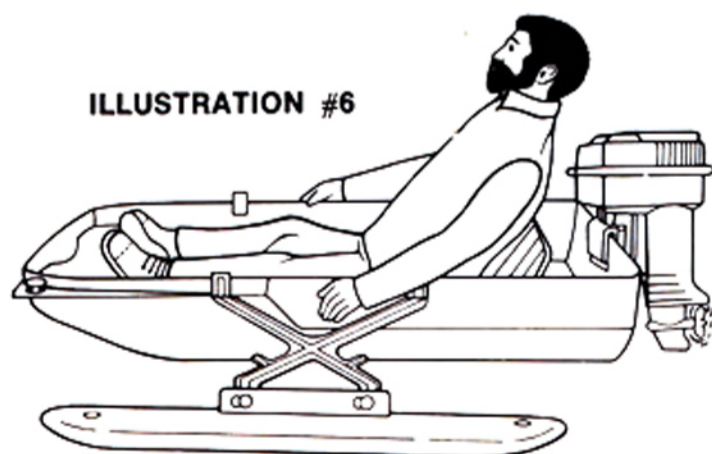


ILLUSTRATION #6

THE G. I. JOE® LAND ADVENTURER™ OFFICIAL ADVENTURE TEAM VEHICLE™ IS EQUIPPED TO HOLD AND CARRY THE PONTOON BOAT.

BE SURE AND SEE THE OFFICIAL ADVENTURE TEAM VEHICLE™ AT YOUR FAVORITE TOY OR DEPARTMENT STORE.